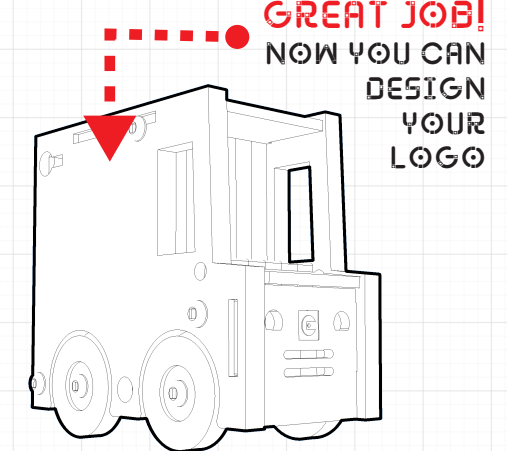
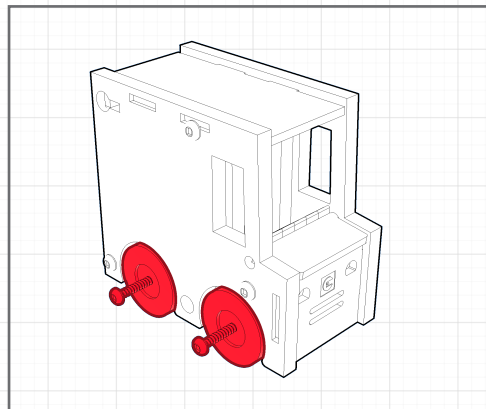
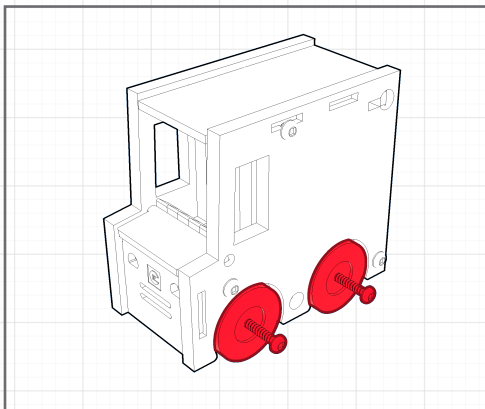
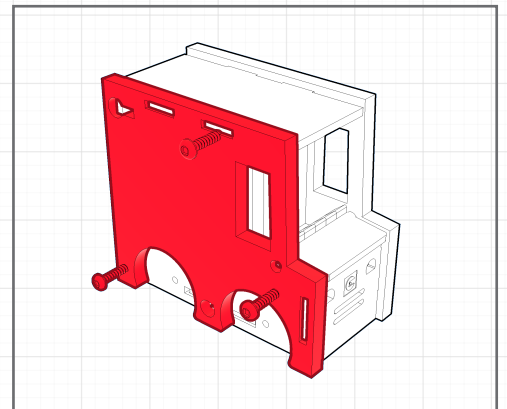
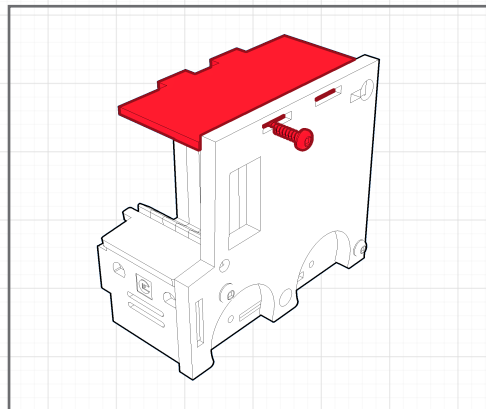
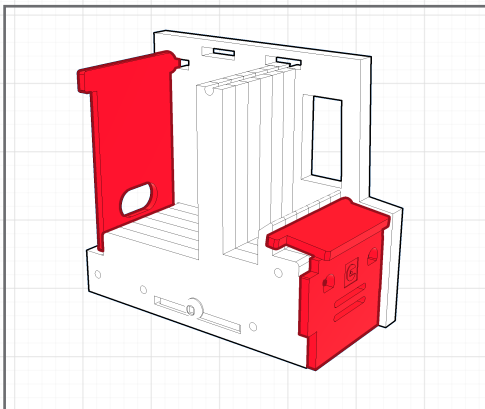
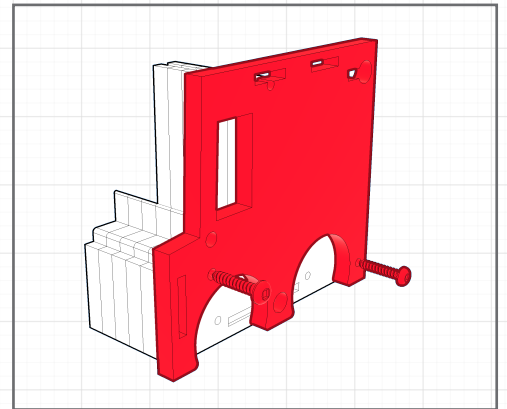
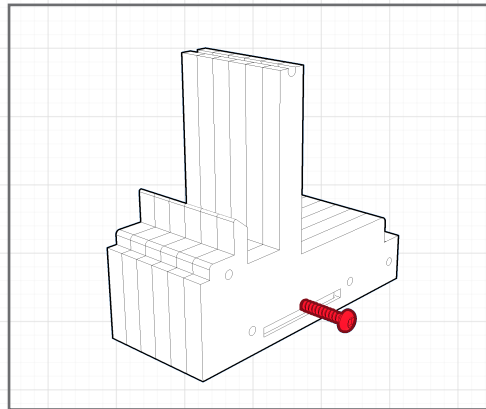
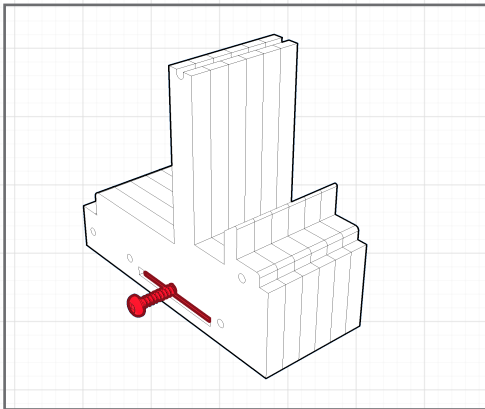
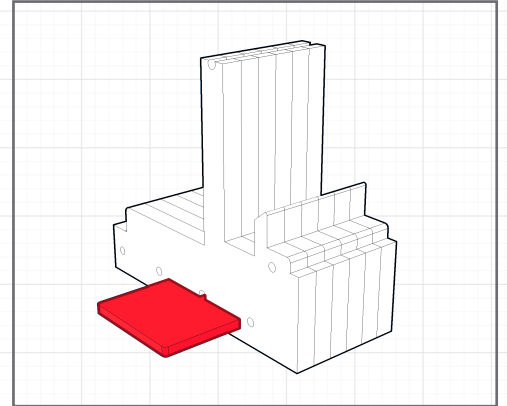
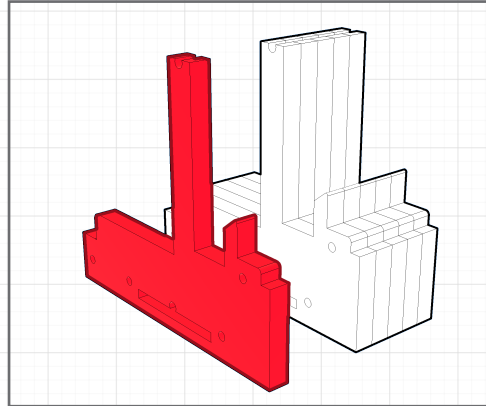
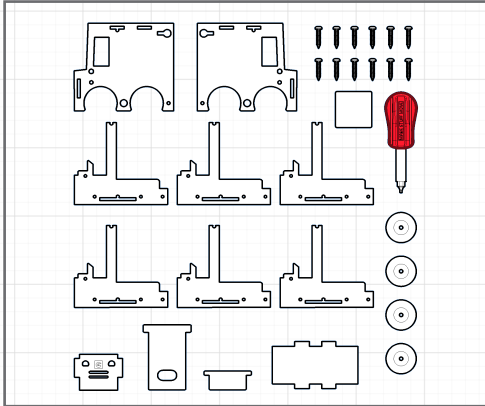


LET'S BUILD

MAKESTUFFMOVE.COM/BUILD/TINY-TRADES-TRUCK



GREAT JOB!
NOW YOU CAN
DESIGN
YOUR
LOGO

DID YOU KNOW THERE ARE OVER 100 SKILLED TRADES!

Construction	Brick and Stone Mason	Build things with bricks and stones.
	Cement (Concrete) Finisher	Smooth out cement on sidewalks and driveways.
	Electrician	Install and fix electrical wires for lights and appliances.
	General Carpenter	Construct and repair building structures.
	Heavy Equipment Operator	Drive big equipment to move earth and clear land.
	Ironworker	Build strong metal frames for buildings and bridges.
	Plumber	Make sure we get clean water and that it drains away properly.
	Roofer	Cover the tops of houses to protect against weather.
	Sheet Metal Worker	Make things out of thin metal, like ducts and roofs.
	Steamfitter	Install pipes that carry steam or hot water for heating and industry.
Water Well	Drill deep into the ground to find water.	
Industrial	Welder	Join metal parts together using heat.
	Powerline Technician	Work on the cables that bring electricity to our homes and schools.
	CNC Programmer	Write instructions for machines to make parts.
	Draftsperson	Draw plans for buildings and machines
	Electric Motor Technician	Fix and maintain motors that power machines.
	Elevating Devices Mechanic	Fix and maintain elevators and escalators.
	Machinist	Use machines to shape metal parts for other machines.
	Tool and Die Maker	Make special tools that are used to shape metal for other products.
Millwright	Install and fix big machines in factories.	
Motive	Auto Body Repairer	Fix the outside of cars when they get dented or scratched.
	Marine Engine Technician	Fix the engines on boats.
	Railway Car Technician	Fix and maintain train cars.
	Small Engine Technician	Fix small engines like lawn mowers and snowblowers.
	Automotive Mechanic	Fix cars and trucks.
	Aerospace Technician	Build and test planes and spacecraft.
Services	Horticultural Technician	Grow plants and flowers and take care of gardens.
	Arborist	Experts who take care of trees.
	Chef	A professional cook who makes meals in restaurants.
	Locksmith	Make and fix locks to keep our things safe.
	Hairstylist	Cut and style people's hair.
Art + Design	Jeweler	Make and fix jewelry.
	Tailor/Seamstress	Make and alter clothes to fit perfectly.
	Glassblower	Shape glass into beautiful objects by blowing air into it.
	Indigenous Artisan	Make clothes and crafts the way Indigenous people traditionally do.
	Video Production	Shoot videos using cameras and lighting
	Animator	Bring art to life on paper and with computers

THESE ARE JUST A FEW